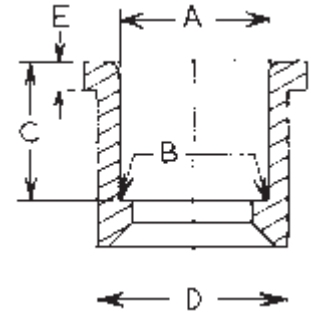
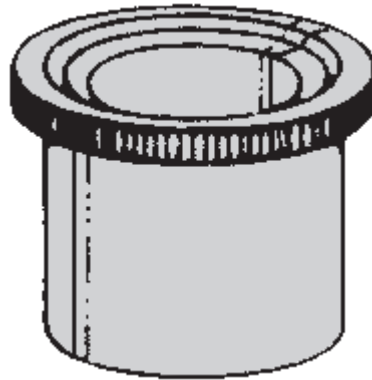


### Reducer Bushings

Dimensions per  
ASTM D 2466



Item Number	Nominal Size (Male x Female)	Average A (inches)	Average B (inches)	C (inches)	Average D (inches)	E (inches)
6048 007505	$\frac{3}{4} \times \frac{1}{2}$	0.848	0.836	0.688	1.050	$\frac{1}{8}$
6048 010007	$1 \times \frac{3}{4}$	1.058	1.046	0.719	1.315	$\frac{3}{16}$
6048 012510	$1\frac{1}{4} \times 1$	1.325	1.310	0.875	1.660	$\frac{1}{4}$
6048 015012	$1\frac{1}{2} \times 1\frac{1}{4}$	1.670	1.655	0.938	1.900	$\frac{3}{16}$
6048 020012	$2 \times 1\frac{1}{4}$	1.670	1.655	0.938	2.375	$\frac{1}{8}$
6048 020015	$2 \times 1\frac{1}{2}$	1.912	1.894	1.094	2.375	$\frac{5}{16}$
6048 025020	$2\frac{1}{2} \times 2$	2.387	2.369	1.156	2.875	$\frac{1}{4}$
6048 030020	$3 \times 2$	2.387	2.369	1.156	3.500	$\frac{1}{4}$
6048 040030	$4 \times 3$	3.516	3.492	1.875	4.500	$\frac{3}{8}$