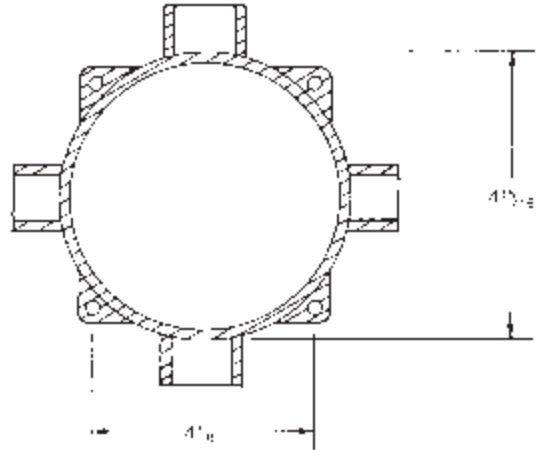
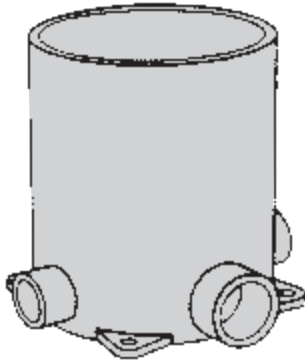


### Floor Boxes

**UL LISTED**

Conforms to UL 514C

90 Cubic Inch  
Maximum Volume  
Minimum Concrete Depth 3"  
Box Height 6"



**Item  
Number**            6163 0500

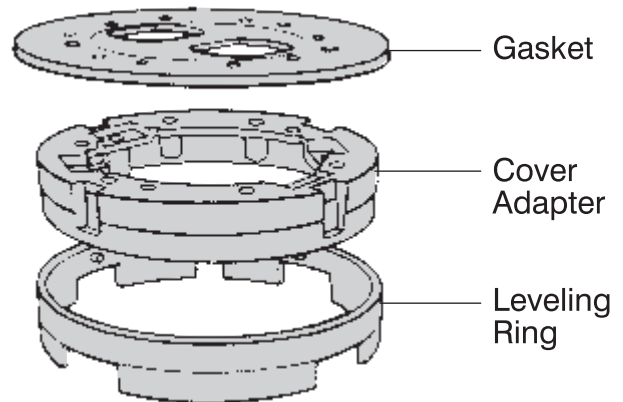
**INCLUDES:**

- 1 Floor Box Base
- 1 Temporary Protective Cap
- 2 – 1 x 3/4 Reducer Plugs
- 3 – 3/4 x 1/2 Reducer Plugs

### PVC Adapter Ring Assembly for Floor Box Cover

**UL LISTED**

Conforms to UL 514C



**Item  
Number**            6163 0550

**INCLUDES:**

- Cover Adapter
- Leveling Ring
- 2 Gaskets