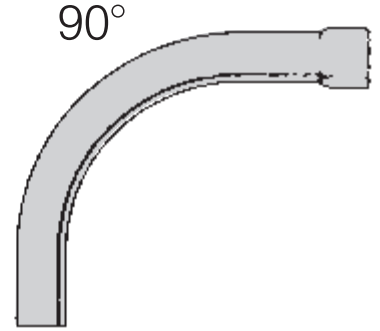
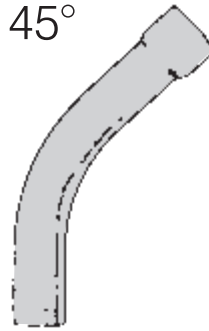


# PWEagle PVC Electrical Conduit Fittings and Accessories

## Standard Radius Elbows Schedule 40

**UL LISTED** Conforms to UL 651, NEMA TC 3



### 45° Elbow

Plain End Item Number	Belled End Item Number	Trade Size
7145 0050	7545 0050	1/2
7145 0075	7545 0075	3/4
7145 0100	7545 0100	1
7145 0125	7545 0125	1 1/4
7145 0150	7545 0150	1 1/2
7145 0200	7545 0200	2
7145 0250	7545 0250	2 1/2
7145 0300	7545 0300	3
7145 0350	7545 0350	3 1/2
7145 0400	7545 0400	4
7145 0500	7545 0500	5
7145 0600	7545 0600	6

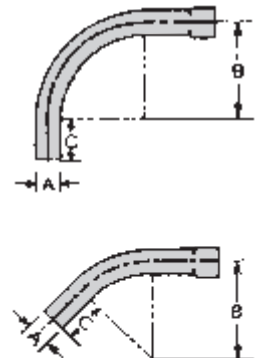
### 90° Elbow

Plain End Item Number	Belled End Item Number	Trade Size
7190 0050	7590 0050	1/2
7190 0075	7590 0075	3/4
7190 0100	7590 0100	1
7190 0125	7590 0125	1 1/4
7190 0150	7590 0150	1 1/2
7190 0200	7590 0200	2
7190 0250	7590 0250	2 1/2
7190 0300	7590 0300	3
7190 0350	7590 0350	3 1/2
7190 0400	7590 0400	4
7190 0500	7590 0500	5
7190 0600	7590 0600	6

## Standard Radius Sweep Dimensions Schedule 40

Trade Size	A (inches)	Minimum B (inches)	Minimum C (inches)
1/2	0.840	4.000	1.500
3/4	1.050	4.500	1.500
1	1.315	5.750	1.875
1 1/4	1.660	7.250	2.000
1 1/2	1.900	8.250	2.000
2	2.375	9.500	2.000

Trade Size	A (inches)	Minimum B (inches)	Minimum C (inches)
2 1/2	2.875	10.500	3.000
3	3.500	13.000	3.125
3 1/2	4.000	15.000	3.250
4	4.500	16.000	3.375
5	5.563	24.000	3.625
6	6.625	30.000	3.750

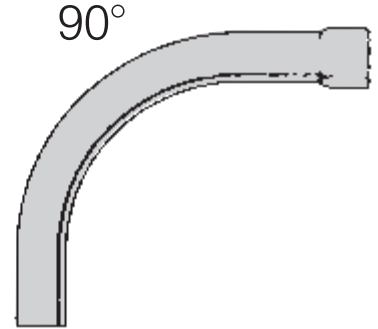
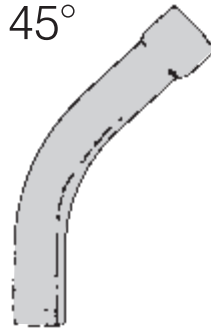


# PWEagle PVC Electrical Conduit Fittings and Accessories

## Standard Radius Elbows Schedule 80

**UL LISTED** Conforms to UL 651, NEMA TC 3

Belled end except as noted-\*



### 45° Elbow

Item Number	Trade Size
7245 0050*	1/2
7245 0075*	3/4
7245 0100*	1
7245 0125*	1 1/4
7245 0150*	1 1/2
7245 0200*	2
7645 0250	2 1/2
7645 0300	3
7645 0400	4
7645 0500	5
7645 0600	6

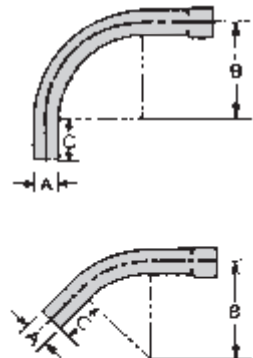
### 90° Elbow

Item Number	Trade Size
7290 0050*	1/2
7290 0075*	3/4
7290 0100*	1
7290 0125*	1 1/4
7290 0150*	1 1/2
7290 0200*	2
7690 0250	2 1/2
7690 0300	3
7690 0400	4
7690 0500	5
7690 0600	6

## Standard Radius Sweep Dimensions Schedule 80

Trade Size	A (inches)	Minimum B (inches)	Minimum C (inches)
1/2	0.840	4.000	1.500
3/4	1.050	4.500	1.500
1	1.315	5.750	1.875
1 1/4	1.660	7.250	2.000
1 1/2	1.900	8.250	2.000
2	2.375	9.500	2.000

Trade Size	A (inches)	Minimum B (inches)	Minimum C (inches)
2 1/2	2.875	10.500	3.000
3	3.500	13.000	3.125
3 1/2	4.000	15.000	3.250
4	4.500	16.000	3.375
5	5.563	24.000	3.625
6	6.625	30.000	3.750



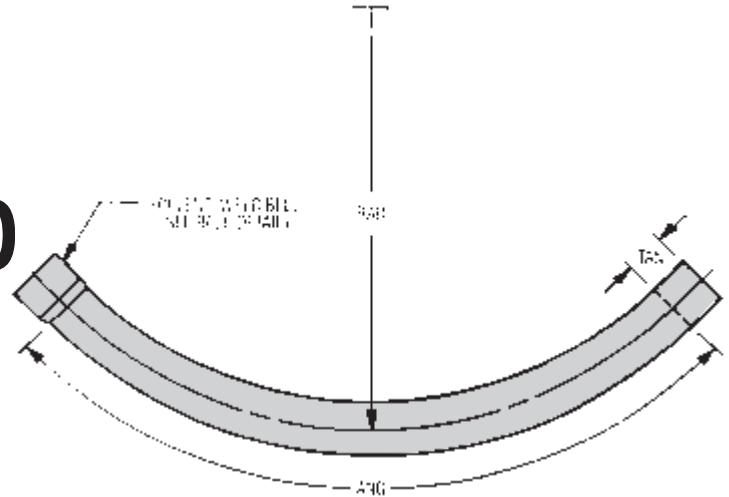
# PWEagle PVC Electrical Conduit Fittings and Accessories

## Special Radius Sweeps Schedule 40/80 Belled End

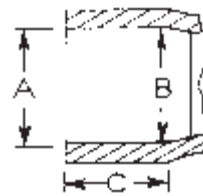
See price sheet for specific sizes offered.  
Plain end available upon request

**UL LISTED**\* Conforms to UL 651, NEMA TC 3

\* Except elbows of less than 15° arc angle and/or elbows of more than 120 inches arc length.



BELL DETAIL



Trade Size	Minimum Tangent (inches)	Average A (inches)	Average B (inches)	Average C (inches)
1	1.875	1.330	1.310	1.375
1 <sup>1</sup> / <sub>4</sub>	2.000	1.677	1.655	1.500
1 <sup>1</sup> / <sub>2</sub>	2.000	1.918	1.894	1.500
2	2.000	2.393	2.369	1.600
2 <sup>1</sup> / <sub>2</sub>	3.000	2.890	2.868	2.500
3	3.125	3.515	3.492	2.625
3 <sup>1</sup> / <sub>2</sub>	3.250	4.015	3.992	2.750
4	3.375	4.515	4.491	2.875
5	3.625	5.593	5.553	3.125
6	3.750	6.658	6.614	3.250