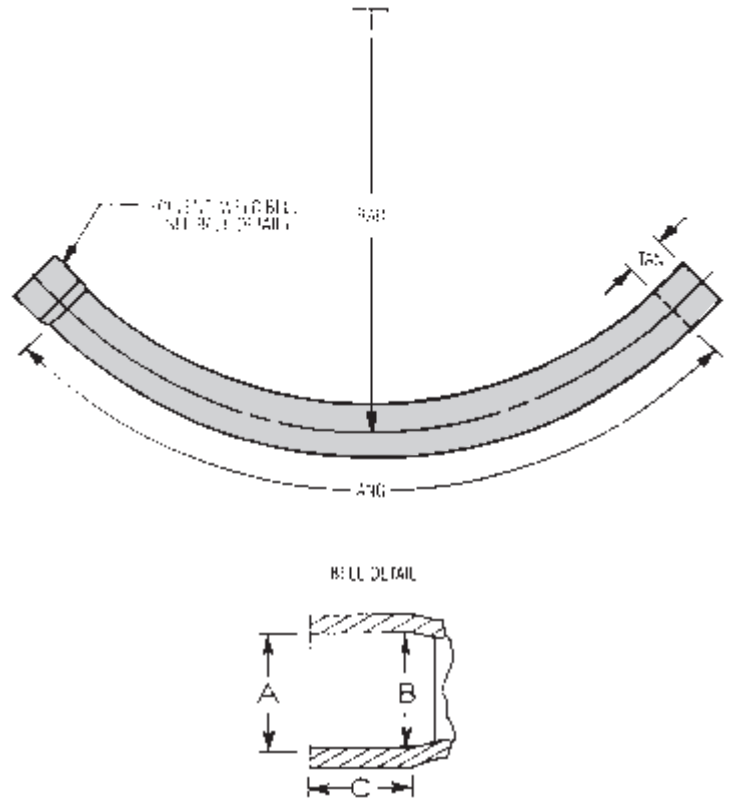


Duct Sweeps Belled End

Conforms to ASTM F 512 and
NEMA TC 9

See price sheet for specific sizes offered.
Made from DB-120 unless otherwise
specified.



Trade Size	Minimum Tangent	Average A (inches)	Average B (inches)	Minimum C (inches)
1	1.250	1.325	1.310	1.000
1½	2.000	1.912	1.894	1.375
2	2.250	2.387	2.369	1.750
3	3.375	3.516	3.492	2.875
4	3.875	4.518	4.491	3.375
5	4.500	5.583	5.553	4.000
6	5.500	6.647	6.614	5.000