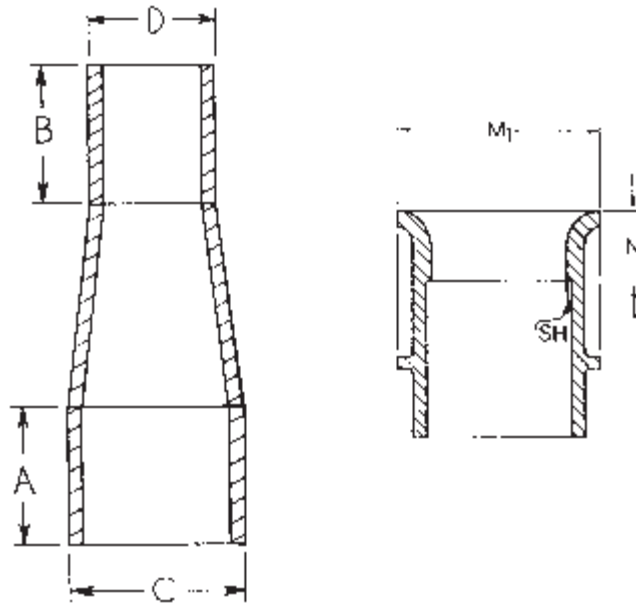


Reducers and End Bells



Swedge Reducers

Conforms to ASTM F 512

Item Number	Nominal Size	Minimum A (inches)	Minimum B (inches)	Average C (inches)	Average D (inches)
6148 030020	3 x 2	3.250	2.125	3.500	2.375
6148 040030	4 x 3	3.375	3.250	4.500	3.500
6148 040035	4 x 3 ¹ / ₂	3.375	3.375	4.500	4.000
6148 050040	5 x 4	4.375	3.375	5.563	4.500
6148 060050	6 x 5	5.375	4.375	6.625	5.563

End Bells

Conforms to ASTM F 512

Item Number	Nominal Size	Maximum M1 (inches)	Maximum SH (inches)	Minimum N (inches)
6150 0100	1	2 ¹ / ₄	0.070	3 ³ / ₁₆
6150 0150	1 ¹ / ₂	2 ¹ / ₂	0.070	3 ³ / ₁₆
6150 0200	2	3 ⁷ / ₁₆	0.075	5 ⁵ / ₁₆
6150 0300	3	4 ¹ / ₈	0.076	5 ⁵ / ₁₆
6150 0350	3 ¹ / ₂	4 ⁵ / ₈	0.087	5 ⁵ / ₁₆
6150 0400	4	5 ¹¹ / ₃₂	0.097	7 ⁷ / ₁₆
6150 0500	5	6 ¹³ / ₃₂	0.118	7 ⁷ / ₁₆
6150 0600	6	7 ¹³ / ₃₂	0.140	7 ⁷ / ₁₆