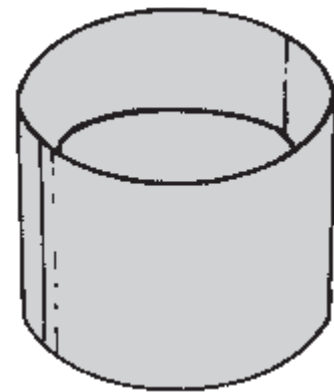


Duct/Swedge Couplings and Repair Couplings

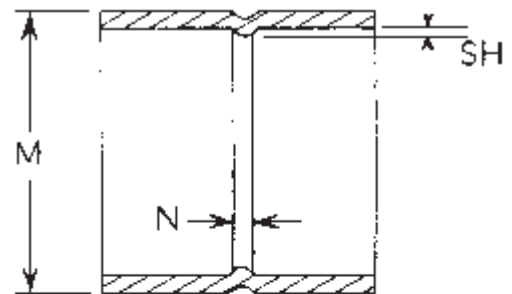
Made from DB-60.
Also available in 4" C Duct and 4" GTS-8342.



Duct/Swedge Couplings

Conforms to ASTM F 512 and NEMA TC 9

Item Number	Trade Size	Maximum M (inches)	Maximum SH (inches)	Minimum N (inches)
6101 0200	2	2 ^{47/64}	0.075	3/32
6101 0300	3	3 ^{31/32}	0.076	7/64
6101 0350	3 ^{1/2}	4 ^{1/2}	0.087	7/64
6101 0400	4	5 ^{1/32}	0.097	7/64
6101 0500	5	6 ^{1/4}	0.118	9/64
6101 0600	6	7 ^{1/2}	0.140	9/64



Repair Couplings

Item Number	Trade Size	L (inches)
6102 0200	2	5.00
6102 0300	3	6.00
6102 0400	4	7.33
6102 0500	5	9.00
6102 0600	6	11.00

